



**Transilvania
University
of Brasov**

NEWSLETTER

No. 110 June 2021

- ▣ TRANSILVANIA UNIVERSITY OF BRAȘOV - FOR THE SECOND YEAR RUNNING IN SHANGHAI INTERNATIONAL RANKING
- ▣ DELEGATION OF THE PARLIAMENTARY ASSEMBLY OF LA FRANCOPHONIE AT UNITBV
- ▣ AFCO 2021 – WE ARE BACK WITH ONE MORE SUCCESSFUL EDITION!
- ▣ DUMITRU PRUNARIU – 40 YEARS SINCE A ROMANIAN ASTRONAUT’S FIRST FLIGHT INTO COSMIC SPACE
- ▣ BOGDAN MARIAN COLTAN, A UNITBV STUDENT IN MECHANICAL ENGINEERING, SILVER MEDALIST AT EUROINVENT 2021
- ▣ A NEW EDITION OF THE INTERNATIONAL CONFERENCE “INCLUSIVE AND SUSTAINABLE ECONOMIC GROWTH. CHALLENGES, MEASURES AND SOLUTIONS” 2021
- ▣ “HORIA D. PITARIU” NATIONAL CONFERENCE ON INDUSTRIAL-ORGANIZATIONAL PSYCHOLOGY
- ▣ THE WINNER OF THE VISUAL IDENTITY PROJECT COMPETITION “THE HISTORY OF HUMAN RIGHTS IS THE STORY OF HUMANITY” – A UNITBV STUDENT
- ▣ EUROPE DAY AND THE CHARTER OF FUNDAMENTAL RIGHTS OF THE EUROPEAN UNION CELEBRATED IN BRAȘOV
- ▣ ALINA BERCU AND GABRIEL SIN – VOCAL-INSTRUMENTAL RECITAL
- ▣ “HAVING A TALK WITH ...” AT RADIO CAMPUS TRANSILVANIA

TRANSILVANIA UNIVERSITY OF BRAȘOV - FOR THE SECOND YEAR RUNNING IN SHANGHAI INTERNATIONAL RANKING



In May 2021, the results of the international ranking by subjects *Shanghai (Global Ranking of Academic Subjects – GRAS)* were made public, and Transilvania University of Brașov appears in the prestigious ranking this year again.

Shanghai ranking by fields includes the best-performing 500 universities in the world for each of the 54 subjects analysed. Within the field *Natural Sciences / Physics*, Transilvania University of Brașov ranks 401-500, along with the West University of Timișoara.

This year, only eight Romanian universities were listed as having high performance and research criteria in *Shanghai* rankings by fields, and succeeded in meeting the pre-set indicators, namely international academic awards, top academic achievements, research quality, and international collaboration. Alongside Transilvania University of Brașov, among the Romanian universities, the

ranking also includes Babeș Bolyai University of Cluj Napoca, the University of Bucharest, the West University, the Universities of Medicine in Cluj, Bucharest and Timișoara, as well as USAMV Cluj Napoca.

GRAS 2020 is an internationally renowned ranking developed by Shanghai Ranking company Consultancy. ShanghaiRanking has been publishing *Academic Ranking of World Universities* by academic fields since 2009. This year's version contains rankings of universities in Natural Sciences, Engineering, Life Sciences, Medical Sciences and Social Sciences. Overall, more than 1,800 out of a total of 4,000 universities in 93 countries and regions were classified.

The complete results can be accessed by following the link below:

<https://www.shanghairanking.com/rankings/gras/2021>.



Synthesis made by Victor BRICIU,

Office of Marketing and Image

Source: www.unitbv.ro/stiri-si-evenimente

Photo source: ShanghaiRanking

■ CONTENTS

World Rank	Institution	Country/Region	Total Score	Q1
401-500	 Transilvania University of Brasov		22.3	

* Institutions within the same rank range are listed alphabetically.

DELEGATION OF THE PARLIAMENTARY ASSEMBLY OF LA FRANCOPHONIE AT UNITBV

On 25 May 2021, the delegation of the Francophonie Parliamentary Assembly (APF) visited Braşov and was received by the Rector and Vice-Rectors of Transilvania University. This visit comes under the Mission for the Consolidation of Francophonie in Romania, conducted between the 23 and 26 May 2021.



The Parliamentary Assembly of La Francophonie (APF) was represented by francophone officials, respectively the Parliamentary Secretary General, M. Jacques Krabal, the Deputies of the Wallonia Brussels Parliament, along with the President of the Delegation of the Romanian Parliament to APF, the Deputy Florin-Alexandru Alexe, the Minister of Education, Sorin Mihai Cîmpeanu, and the Deputy Simona Bucura-Oprescu, a member of the Delegation of the Romanian Parliament to APF.

On this occasion, several thematic visits and meetings took place in Braşov, a consequential opportunity to highlight the magnitude of la Francophonie in this city. Thus, the series of meetings began with a visit to Airbus Helicopters Romania during which the General Manager, Georges Durdilly gave a short presentation of the company's activity, innovative objectives, as well as joint projects with Transilvania University of Braşov, so that the students could be employed by Airbus.

Then, the members of the delegation had a meeting with the President of Braşov County Council, Adrian Ioan Veşteea, and with the Prefect of Braşov county, Mihai-Cătălin Văsii, during which several aspects regarding the importance of the francophone economic dimension in this county were highlighted.



On the premises of Transilvania University of Braşov, the members of the delegation had the opportunity to talk with the Rector of UNITBV, Prof. Dr. Eng. Ioan Vasile Abrudan, with representatives of the University of Braşov and of the Alliance Française in Braşov, which celebrated its 30th anniversary this year, as well as with Ion Ciolacu, Honorary Consul of the French Republic in Braşov. The event was successfully organized at the administrative, university, linguistic and economic levels, with the support of Transilvania University of Braşov.

Synthesis made by Victor BRICIU
Office of Marketing and Image

Source: Parliamentary Assembly of La Francophonie

Photo source: Alliance Française, 26 May 2021

■ CONTENTS

AFCO 2021 – WE ARE BACK WITH ONE MORE SUCCESSFUL EDITION!

After a one-year break, on Tuesday, 18 May 2021, Transilvania University of Braşov hosted the 9th edition of Graduates in front of Companies – AFCO 2021 (<http://afco.unitbv.ro>). The event held at “Sergiu Chiriacescu” Aula of Transilvania University brought together UNITBV students, professors, and representatives of the economic environment.



The 368 students registered for AFCO 2021 (record number, from all cycles of study - bachelor's, master's, and doctorate) showed the representatives of the companies and the jury either individual diploma projects or other projects (including team projects), very concisely - in the form of a poster, within the 11 sections of the event.



Throughout the event, the representatives of the companies had the opportunity to view the students' papers, to dialogue with them on the topic of the paper and to assess their stage of interest and

training in the targeted field/ specialization. Moreover, for a few of these students, the event was the actual start of a genuine approach to the labour market.

As in its previous editions, this year's AFCO event had a main partner, respectively OTP Bank. Along with OTP Bank, other partners were BCR, XPERI, Siemens, Kronospan Trading, LIAMED, NBHX Rolem, ENGIE Romania, Miele Tehnica, Canam Group, Rubico, NTT Data, Autoliv Romania.



The 9th edition of the event ended with the AFCO 2021 awards gala, at “Sergiu Chiriacescu” Aula, where prizes were awarded to the winners within each section. Moreover, two special prizes were awarded. Several students at the Faculty of Music within Transilvania University of Braşov enlivened the atmosphere, before and after the awards gala.

Congratulations to all participants and thanks to the partners, the members of the jury and to the members of the organizing committee!

Prof. Dr. Eng. Daniel MUNTEANU – Vice-Rector
On behalf of the Organizing Committee - AFCO 2021

■ CONTENTS

DUMITRU PRUNARIU - 40 YEARS SINCE A ROMANIAN ASTRONAUT'S FIRST FLIGHT INTO COSMIC SPACE



Transilvania University of Braşov organized, on 17 May 2021, in "Sergiu T. Chiriacescu" Aula, an event occasioned by *the 40th anniversary of a Romanian cosmonaut's first flight into outer space*, with the participation of General Dr. Eng. Dumitru Dorin Prunariu, of Dr. Phys. Marius Ioan Piso, President and Executive Director of the Romanian Space Agency (ROSA), of Deputy Mayor Sebastian Rusu, and of Prof. Dr. Eng. Ioan Vasile Abrudan, Rector of Transilvania University of Braşov. The event was attended by professors, researchers, graduates and students of our University.

In 1981, Dumitru Dorin Prunariu achieved a special performance, being the first Romanian to fly in outer space, the 103rd cosmonaut / astronaut in the world, and Romania - the 11th State to send a cosmonaut / astronaut into space.



Starting with 14 May 1981, within the Soyuz 40 mission of "Intercosmos" space programme, Dumitru Dorin Prunariu spent 7 days, 20 hours and 42 minutes in outer space.

On this occasion, the Rector of our University, Prof. Dr. Eng. Ioan Vasile Abrudan, handed the diploma of excellence to General Dr. Eng. Dumitru Dorin Prunariu, in recognition of his entire professional activity, but also of his diplomatic and spaceflight promotion activity.



During the lecture, Dumitru Dorin Prunariu presented both the preparatory stages he went through until the actual flight and the activities performed on board the Saliut-6 station, and he eventually answered the questions asked by the participants in the event.

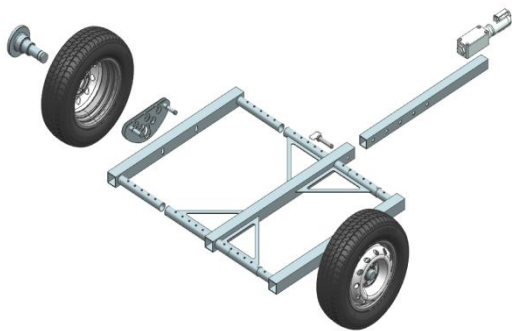


Given the interest shown by the participants and the large number of people who watched it online, the event can certainly be said to have been a successful one.

Prof. Dr. Eng. Gheorghe OANCEA,
Dean of the Faculty of Technological Engineering
and Industrial Management

BOGDAN MARIAN COLTAN, A UNITBV STUDENT IN MECHANICAL ENGINEERING, SILVER MEDALIST AT EUROINVENT 2021

The lightweight disassemblable utility trailer made of 3D-printed parts can be used for transporting various heavy objects, without having to resort to a truck or a large car; afterwards, it can be disassembled and stored wherever you find a place: for instance, in the basement or in the storage unit of the block of flats. You don't even have to worry about the parking space anymore.



This is, briefly, the concept proposed by Bogdan Marian Coltan – a master's student at the study programme *Simulation and Testing in Mechanical Engineering*, within the Faculty of Mechanical Engineering – at Euroinvent 2021 competition, recently held in Iași.



He was even awarded a silver medal for this achievement. This year's edition took place online, hence the participants presented their projects and inventions through a poster and a speech given from a distance.



"The idea originated in a talk with my coordinating professor, Lecturer Dr. Eng. Marius Nicolae Baba, within the Department of Mechanical Engineering (team of Materials Strength); it all started with the dimensional calculation and various materials for utility trailers. Our goal was to calculate and make a sizing on the composite materials, to see how it influences the mass or the durability of the material. My current status of MA student at the study programme *Simulation and Testing in Mechanical Engineering* allowed me to work with the software packages provided by Siemens Industry Software Braşov and to develop the concept of a utility trailer made of composite materials for a semi-trailer with the possibility to disassemble, with the possibility of lateral extension, with a relatively light mass, that is, 60-80 kg and with a 750-kilogramme carrying capacity", the graduate student Bogdan Marian Coltan explained.

The concept is for the trailer made of 3D printed parts. For now, the disassemblable trailer is just a concept, which will enter simulations for other materials, too. In order to become a reality, it is necessary to analyse how feasible the project is.

The European exhibition of creativity and innovation, Euroinvent 2021, brought together works from over 39 universities and research institutions or private companies.

Lecturer Dr. Marius Nicolae BABA
Faculty of Mechanical Engineering

A NEW EDITION OF THE INTERNATIONAL CONFERENCE “INCLUSIVE AND SUSTAINABLE ECONOMIC GROWTH. CHALLENGES, MEASURES AND SOLUTIONS” 2021

On 27 May 2021, the Faculty of Economic Sciences and Business Administration hosted a new edition of the International Conference “Inclusive and Sustainable Economic Growth. Challenges, Measures and Solutions” (ISEG) 2021, organized together with the Institute for Economic Forecasting (IPE) within the National Institute for Economic Research of the Romanian Academy.



Romanian Academy
Institute for Economic Forecasting

Inclusive and sustainable economic growth. Challenges, measures and solutions

(ISEG 2021, 27th of May 2021)

The series of ISEG conferences started in 2014 with the launch of a common theme by the University of Braşov and the Institute for Economic Forecasting in the field of sustainable, inclusive, and intelligent economic growth. Over time, different models of growth and development have been implemented around the world, with direct and secondary positive effects on many economic, social, demographic, and political aspects of community life.

Moreover, the concept of economic growth has its own continuous evolution in terms of defining dimensions and facets. Therefore, new research is always solicited for political purposes, in order to

capture these ongoing dynamics in the light of the definition, measurement and implications of economic growth in different geographical areas.



The conference proceedings, held online, were an opportunity for debates on current economic issues, in thematic sections including Applied Economics, Econometrics, Management, Finance, Marketing.

We consider this edition of the ISEG conference to have been a success, first of all in terms of the scientific quality of the papers presented; therefore, we look forward to the next edition of the conference.

Details of the event can be obtained by accessing the link: <https://iseg.unitbv.ro/>.

Prof. Dr. Gabriel BRĂTUCU
Faculty of Economic Sciences and Business
Administration

■ CONTENTS

"HORIA D. PITARIU" NATIONAL CONFERENCE ON INDUSTRIAL-ORGANIZATIONAL PSYCHOLOGY

The 21st edition of "Horia D. Pitariu" National Conference on Industrial-Organizational Psychology took place between 27-29 May 2021, the event being organized online by the Association of Industrial and Organizational Psychology (APIO) and the Faculty of Psychology and Education Sciences (Transilvania University of Braşov). Now in its 21st edition, APIO Conference is one of the most important events of this type in Romania, for both researchers and practitioners, being an excellent opportunity for all APIO members and supporters to meet in a relaxing and stimulating environment, which encourages professional discussions and exchanges of good practice.



The main theme of this edition was *People and Organizations - Resilience to Crises*. Continuing the tradition of the APIO conferences, practitioners and future practitioners were offered a series of workshops to train professional skills relevant to the field of human resource psychology: *Strategies for Monitoring Occupational Health and Reducing the Risk of Burnout in Crises* (Prof. Dr. Constantin Ticu), *Introduction to R for Social Sciences* (Dr. George Gunnesch-Luca), *Vulnerability Factors and Resilience Factors in the Decision-making Process under Stress: Clinical and Operational Applications* (Dr. Vasile Marineanu), *Analysis of Psychometric Tools Used in Assessments Specific to Labour and Organizational Psychology / Transport Psychology in the Perspective of their Psychometric Qualities* (Lector Dr. Ciprian Răulea and Psych. Dr. Alexandru Găianu), *Executive Coaching Mastery: How to Help Managers Increase their Performance and Cope with Uncertainty* (Drd. Andreea Nicolau).

The special guests of this year's edition addressed topics of great interest to the organizational field in the current context: Prof. Dr. Kai Ruggeri (Columbia University) - *Positive Deviance and Reducing Economic Inequality: A Role for Organizational Psychology*, Prof. Dr. Rolf van Dick (Goethe University) - *The Social Identity Approach to Effective Leadership*, Prof. Dr. Christian Dormann (Johannes Gutenberg-University) - *Vicious Circles in Work Stress and Burnout*.

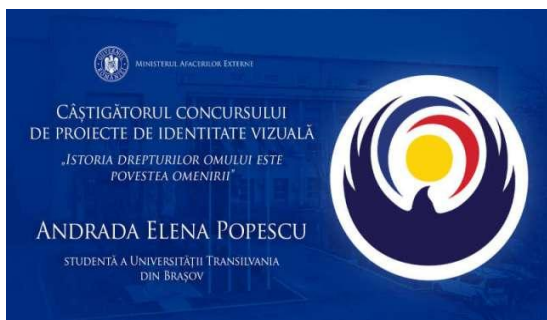
Current topics of analysis were also addressed in the panel of debates *Female Leadership in Crisis Situations*, organized by Lect. Dr. Lavinia Țânculescu-Popa and Lect. Dr. Oana Fodor, whose guests (Mirela Iordan - Country Manager of Pfizer Romania, Simin-Aysel Florescu - Director of the Clinic and Manager of "Dr. Victor Babeş" Infectious and Tropical Diseases Hospital of Bucharest, Cosmina Marinescu - General Director of KRUK Romania, Andreea Vlănțoiu - Head of Data Protection Worldwide Independent Lawyers League and Country Leader Brand Project "Romania, Your Privacy Paradise") brought up the main challenges that the pandemic posed to leaders, as well as the effective ways of approaching them. The exchanges of scientifically validated research ideas and good practices were made during the scientific communication sessions, over 25 works being presented this year.

The participants' feedback was a positive one; the high scientific quality of the event, the efficient organization, the involvement of renowned specialists in organizational psychology from Romania and abroad, even in virtual format, being highly appreciated.

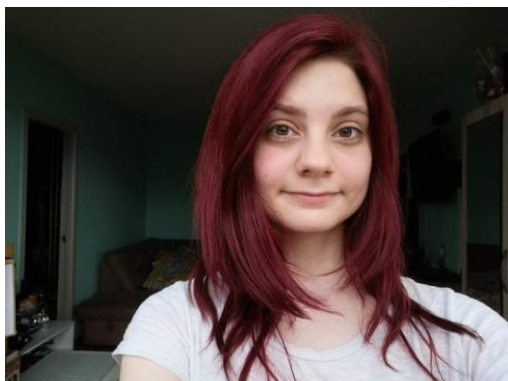
By organizing this event, APIO and PSE contributed to developing and disseminating new ideas and approaches in the field of organizational psychology, to strengthening the APIO community and its expertise, helping all those interested in this field to enrich their experience in their academic and professional activities.

Assoc. Prof. Dr. Ana-Maria CAZAN,
Faculty of Psychology and Education Sciences

THE WINNER OF THE VISUAL IDENTITY PROJECT COMPETITION “THE HISTORY OF HUMAN RIGHTS IS THE STORY OF HUMANITY” – A UNITBV STUDENT



On 5 May 2021, the Ministry of Foreign Affairs announced through its Press Centre that the paper of Andrada Elena Popescu, a 3rd-year student in Digital Media at the Faculty of Sociology and Communication within Transilvania University of Brașov, was designated the winner of the visual identity project competition “The History of Human Rights is the Story of Humanity”.



The winning project will be used in the campaign to promote Romania’s candidacy for a new term of office in the UN Human Rights Council (term 2023-2025). The visual identity for promoting the candidacy was selected following a public project competition, held by the MFA between 25 February and 5 May 2021, and it was addressed to the Romanian students in the country and abroad.

The winning logo design best met the three criteria considered by the evaluation committee: the message promoted, its relevance and expressiveness in the light of the human rights; originality of the proposal; elements of technique and style. The author of the logo mentions, in terms of the conveyed concept, to have relied on the strong symbolism of the circle, which represents “eternal motion, perfection, the absolute, having neither beginning nor end” and to have included, at the same time, the symbol of the dove, which signifies freedom and peace.

The jury of the competition included: Antonio-Roberto Momoc, Dean of the Faculty of Journalism and Communication Sciences (University of Bucharest), chairman of the judging committee, Simona Stanciu Antonescu, Lect. Dr., National University of Arts Bucharest, Andrei Țărnea, General Director of the Communication and Public Diplomacy Department, Ministry of Foreign Affairs, Dragoș Hotea, Head of the Directorate for Human Rights, Protection of Minorities and the Council of Europe, Ministry of Foreign Affairs and Theodora-Magdalena Mircea, Head of Office, MFA Information Office, Ministry of Foreign Affairs.

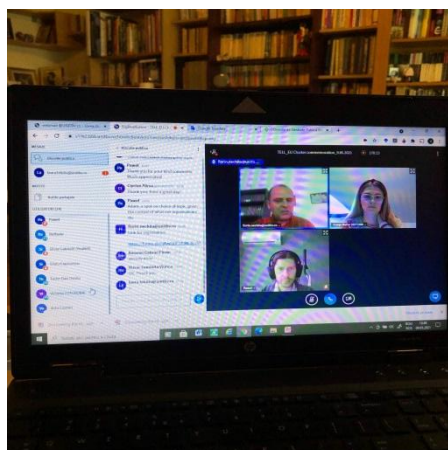
Synthesis made by Victor BRICIU
Office of Marketing and Image

Source of text and photo 1:
Ministry of Foreign Affairs Press Centre
Credit photo 2: Andrada Elena POPESCU

■ CONTENTS

EUROPE DAY AND THE CHARTER OF FUNDAMENTAL RIGHTS OF THE EUROPEAN UNION CELEBRATED IN BRAȘOV

Europe Day and the Charter of Fundamental Rights of the European Union were celebrated in Brașov on Sunday, 9 May 2021, with a marathon event organized by Transilvania University of Brașov within the project Europe for Citizens *TELL- Telling the story, Learning from Listening*. The project, which brings together participants from Italy, Romania, Slovenia, Greece and Poland, aims to raise awareness among young people about the European historical experiences related to the breach of human rights and intolerance.



The first part of the event took place online. The participants were greeted by Prof. Dr. Med. Liliana Rogozea, Vice-Rector for Public Relations of Transilvania University of Brașov, who briefly presented the university and pointed out the complexity of discussions on the human rights in a pandemic context. Next, Prof. Dr. Gabriela Rățulea highlighted the main moments marking the history of human rights enforcement in Europe, then the project partners and their guests participated in a round table on *Why we need the EU Charter?*

The guest of Transilvania University was Astrid Hamberger, coordinator of the Migrant Integration Centre Brașov. The second part of the event took place online and offline - in parallel. An online debate about intolerance rose from the case studies presented by the project partners.



The offline part of the event involved a group of pupils at "Doctor Ioan Meșotă" and "Iohannes Honterus" National Colleges, and of students - both Romanian (from the Faculty of Sociology and Communication) and international (from the Faculty of Electrical Engineering and Computer Science). Divided into mixed teams, they were invited to make short films about the human rights, in the city, and to present their achievements at the end of the event.

The Brașov team of the TELL project consists of Prof. Dr. Elena Helerea (FIESC), Lect. Dr. Laura Leluțiu (FIESC), Prof. Dr. Gabriela Rățulea (FSC), Assoc. Prof. Dr. Florin Nechita (FSC) and Lect. Dr. Daniela Sorea (FSC). The event of 9 May 2021 is the first of the activities scheduled to take place within the project in Brașov.

Lect. Dr. Daniela SOREA
Faculty of Sociology and Communication

■ CONTENTS

ALINA BERCU AND GABRIEL SIN –VOCAL-INSTRUMENTAL RECITAL

27 May 2021 marks a new emblematic event for the elitist profile of the Concert Season of Transilvania University of Braşov. This event brought on the stage of “Sergiu T Chiriacescu” Aula two exceptional artists in a vocal-instrumental recital enlivened by that freshness specific to perpetually efflorescent young spirits. These are the pianist Alina Bercu and the tenor Gabriel Sin who is originally from Hong Kong.

Alina Bercu has given recitals and concerts on many stages renowned for demanding international performance standards, such as Carnegie Hall in New York, Tonhalle Zürich or the Vienna State Opera.



Her recordings for the record labels *Fuga Liberă* Bruxelles, arte.tv or medici.tv were awarded with the *Golden Label* and *Clé d'or*; in November 2020, over 40,000 spectators could watch her live in a recording on the inauguration of the *Humboldt Forum* in Berlin. Moreover, she is the first pianist to perform in our country, in a series of six recitals distributed over the years 2018-2020, the complete piano sonatas by L. van Beethoven.

Alina Bercu performed Mussorgski's well-known music suite, *Pictures at an Exhibition*, in Vladimir Horowitz' musical arrangement in the recital of 27 May.

The prevalence of virtuosity during this imaginary walk proposed by Mussorgsky gives the suite a position of authority among the great piano repertoire. The ten sections inspired by Viktor Hartmann's paintings and the five interludes (*Promenade*) were presented in a technically impeccable manner.

Furthermore, Alina Bercu's energy and emotional openness to impersonation evinced a high empathic potential, as well as a consistent musical-scientific knowledge of the intellectual basis of this masterpiece.

The tenor Gabriel Sin includes in his repertoire a vast stylistic palette, from renaissance madrigals to contemporary vocal music.



He has collaborated with conductors such as Thomas Hengelbrock, Hans-Christoph Rademann, Ivor Bolton, Howard Arman and others, as well as with elite European choral ensembles, including Balthasar-Neumann Choir and International Bach Academy. As a soloist, he has had the opportunity to perform with renowned baroque ensembles, including Zimmermann Ensemble and Øresund Camerata.

Gabriel Sin chose for the 27 May concert five lieds by Franz Schubert (*Fischerweise* D. 881, *Seligkeit* D. 433, *Frühlingsglaube* D. 686, *Ave Maria* D. 839, *Ganymed* D. 544) and five lieds by Robert Schumann (*Wenn durch die Piazzetta* op. 25 no. 18, *Du bist wie eine Blume* op. 25 no. 24, *Waldesgespräch* op. 39 no. 3, *Auf einer Burg* op. 39 no. 7, *Widmung* op. 25 no. 1) – a coherent, beautifully integrated programme in which the two composers communicate with each other; the most categorical, fairest example being the thematic material common to *Ave Maria* D. 839 and to the postlude in *Widmung* op. 25 no. 1, a tribute to Clara Schumann. The tenor Gabriel Sin's voice induced a special sensation, almost synesthetic, through his rich palette of colours and inflections highlighted by an incontestable technical basis.

The collaboration between the two artists on the stage of “Sergiu T. Chiriacescu” Aula, a tangible synergy, characterized by candour and perfection, aroused in the Braşov audience and not only some of the deeply human affections that determine the elements of beauty of existence and, ultimately, of effervescence of life.

Drd. Magdalena LAZĂR

■ CONTENTS

“HAVING A TALK WITH...” AT RADIO CAMPUS TRANSILVANIA

Through the project *Radio Campus Transilvania* we always succeed in highlighting the most beautiful and interesting topics that target and attract students and not only them. One of the most broadcast shows is, without a doubt, “Having a talk with...”, a radio show format through which we want to invite the officials of Transilvania University of Braşov and other personalities from different fields of activity who have special achievements.



I will first mention the meeting on 13 May which had as its topic the ideas behind the “Be Central!” projects. Thus, in response to this year’s AFCO event, which took place on 18 May, we had as guests in the studio of Radio Campus Transilvania a few of the members in the “Be central!” project teams: Cristina Adochițe - coordinator of the MED-ACCES” team, Carolina Stratu - member of the “VIZUAL-LIFE” team, and Nicoleta Ciubotaru - coordinator of the “DigiEdu” team. The desire for change underlies each project; therefore, the search for new solutions and materials has been put into practice. In addition, putting students’ wishes first is a must.

During the discussion, I extracted a prolific question. Is the research activity for everyone? Well, no. It takes a lot of work, perseverance, and documentation. The passion and desire to do something great for students underlie the whole project. At the same time, you ought to know the field of your choice, to explore it until you make sure

of your choice. Let’s not forget the two important aspects: hard work and perseverance.



Another week, another challenge! On 27 May, we had with us, in the studio of Radio Campus Transilvania, on behalf of AIESEC, Iulia Tempea, Vice-president of *Incoming Global Volunteers* and Anca Maria Palade, Vice-president of *Finance and Legality*, from whom we have learnt what AIESEC is and what it means to be part of an organization. AIESEC is a global, non-governmental, independent student association run by students or recent graduates of a higher education institution. AIESEC is present in 127 countries and territories, and it aims to develop its members’ leadership skills. The organization is based on three major programs: *Global Citizen*, *Global Talent* and *Global Entrepreneurs*. Both *Global Talent* and *Global Entrepreneurs* promise the participants their personal and professional development in a multicultural environment. AIESEC offers young people many experiences of personal development through opportunities and international internships or volunteering stages, as well as the access to a learning space in an international context.

Arina-Codrina TACU,
Radio Campus Transilvania
2nd-year student, Communication and Public Relations

■ CONTENTS